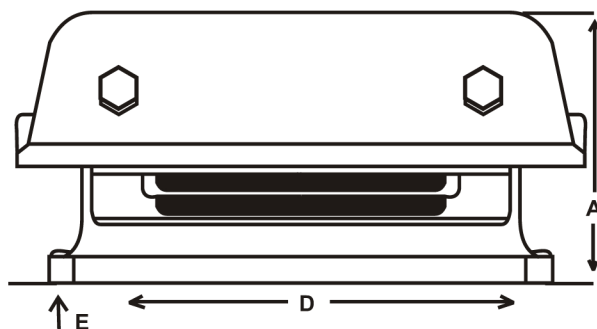
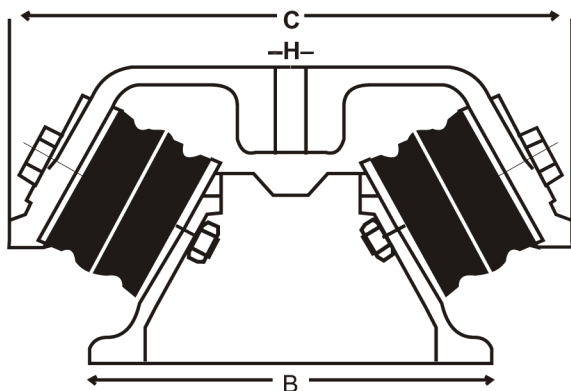
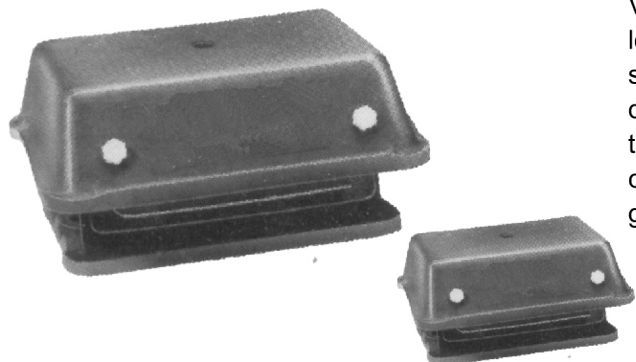


Cushy Foot Mountings

Vishwaraj Cushy foot Mounting provides large deflection, high load capacity and long service life. The Cushy foot mounting springs are loaded in shear and compression for optimum load / deflection characteristics and protect from physical damage by the robust iron castings in which they are housed. The special combination of rubber can resist any weather condition, grease, oil, acid and higher temperatures



Application :

Generators • Diesel Engines • Compressors • Mining Machinery • Printing Machinery • Pumps • Fans and Blowers.

MODEL NO.	COLOR CODE	LOAD IN KGS	DEFLECTION AT RATED LOAD +/- 8% MM	NOMINAL DIMENSIONS					
				A MM	B MM	C MM	D MM	E MM	H MM
CFM-A-1	Black	120	4.8	75	85	128	89	11	M12
CFM-A-2	Red	160	5.2						
CFM-A-3	Blue	240	4.8						
CFM-A-4	Green	320	4.3						
CFM-B-1	Black	270	4.5	110	148	205	125	17	M16
CFM-B-2	Red	380	4.5						
CFM-B-3	Blue	480	4.5						
CFM-B-4	Green	690	4.0						
CFM-C-1	Black	550	4.6	110	148	205	165	17	M16
CFM-C-2	Red	850	4.6						
CFM-C-3	Blue	1040	4.6						
CFM-C-4	Green	1580	4.6						

Manufactured by :- **Vishwaraj Rubber Industries**